

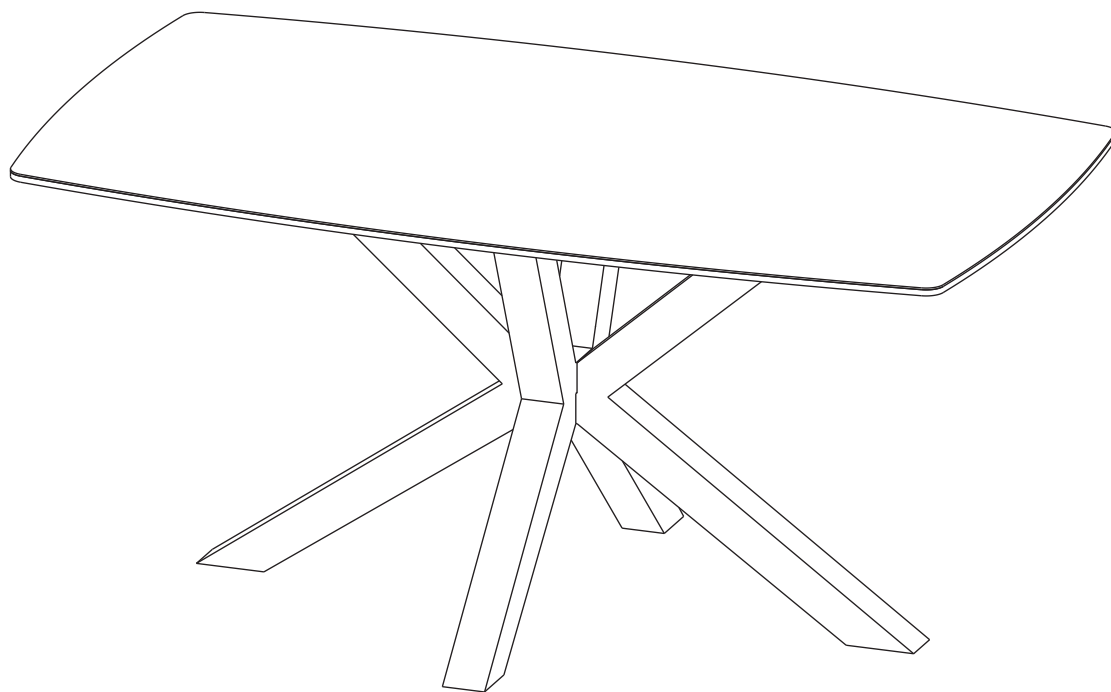
1600-REC/1800-REC 1.6m/ 1.8m Rectangle Table

Assembly instructions

Actual product size

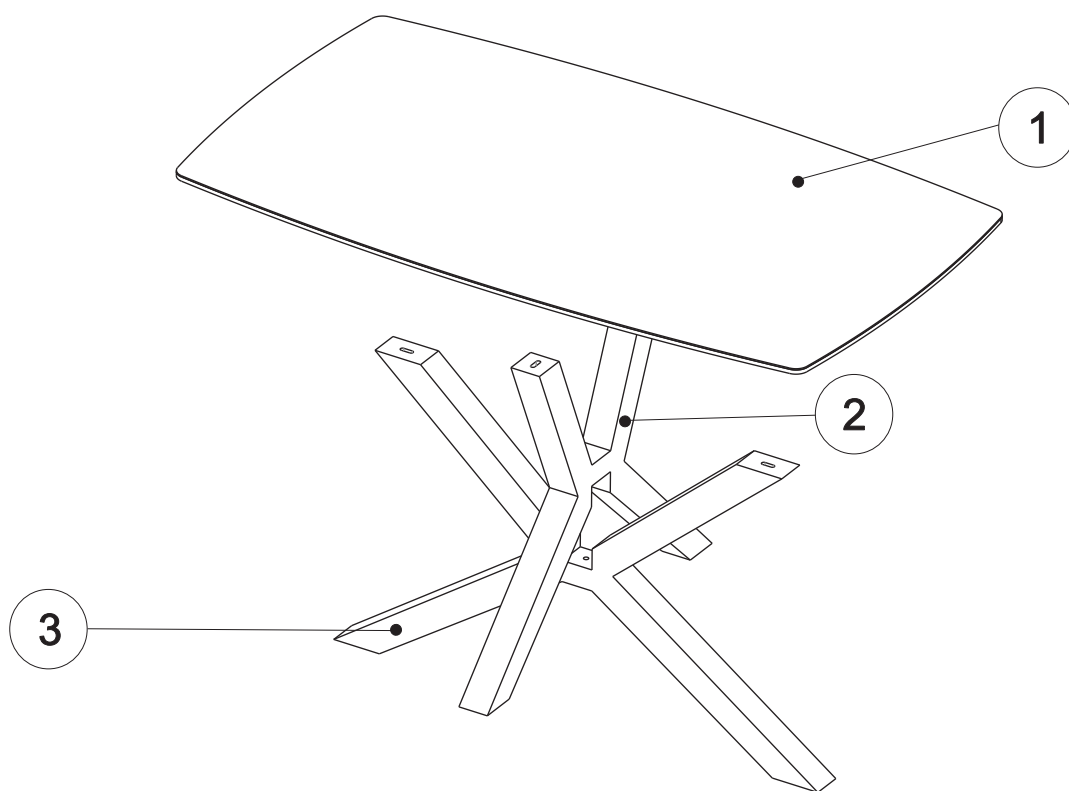
H75xW160xD90cm

H75xW180xD90cm

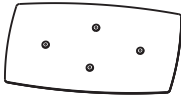

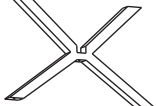


IMPORTANT- RETAIN FOR FUTURE REFERENCE

GETTING TO KNOW YOUR PRODUCT

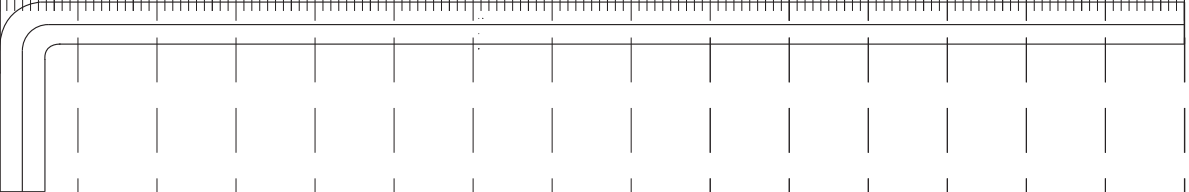
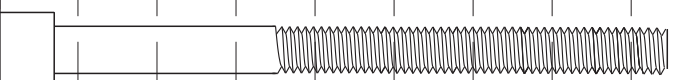
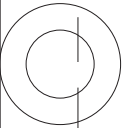
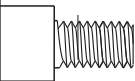



Component supplied

Ref	Dimensions	visual	Qty
1	160x90cm/180x90cm		1
2	71.8x69.5x7cm		1
3	71.8x119.5x7cm		1

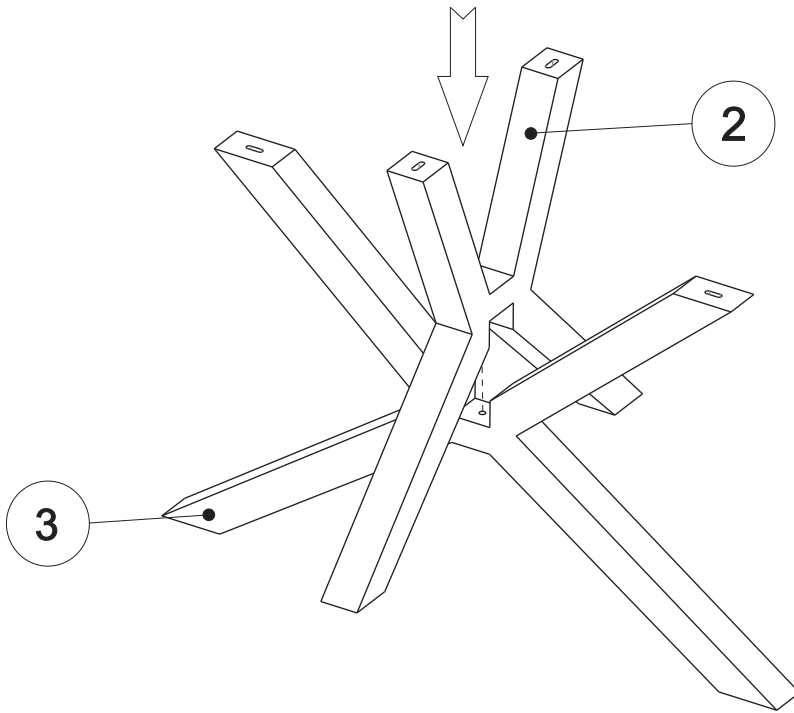
Fixture and Fittings supplied(actual size)

mm 10 20 30 40 50 60 70 80 90 100 110 120 130 140 150 160 170 180

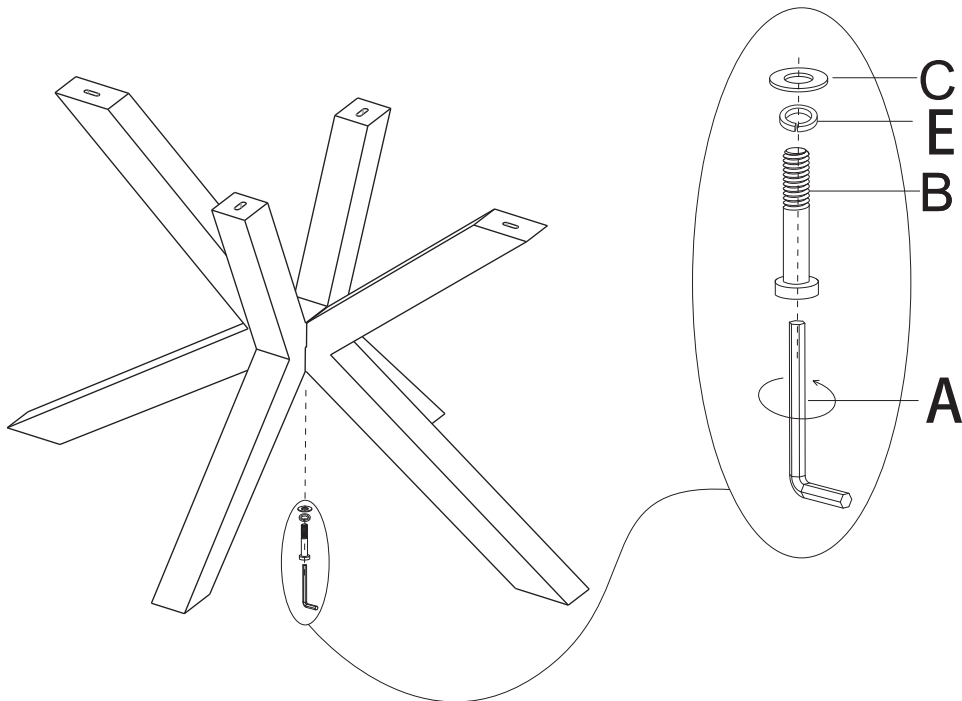
REF	DIMENSIONS	QTY	Spare Part *	
A	150X40MM	1	0	
B	11X86MM	1	0	
C	16X1MM	5	0	
D	11X17MM	4	2	
E	13X2MM	1	0	

* Just to let you know we have included a small quantity of fixings in case of mishap, so don't worry if you've got a few left when you've finished.

Step 1

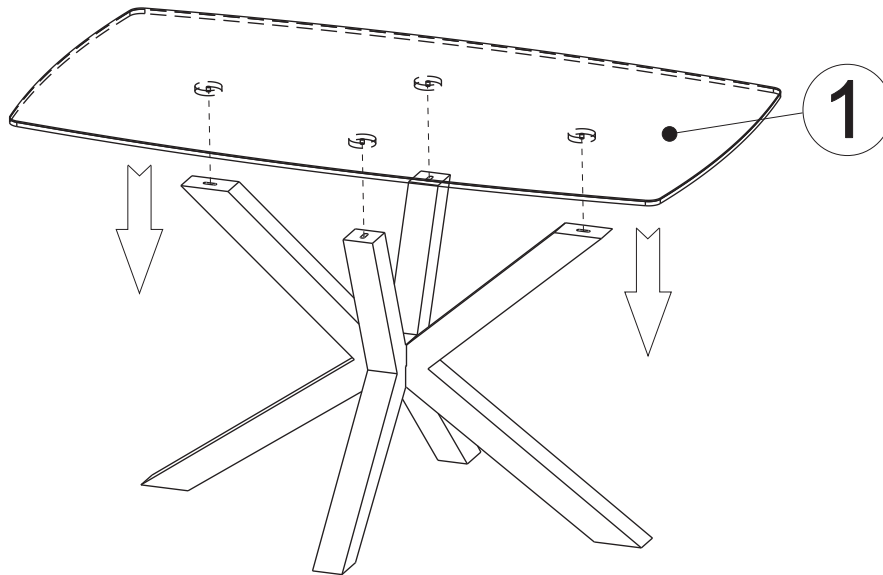


Step 2

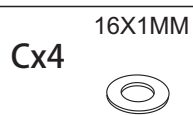
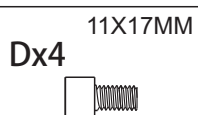
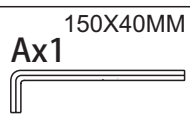
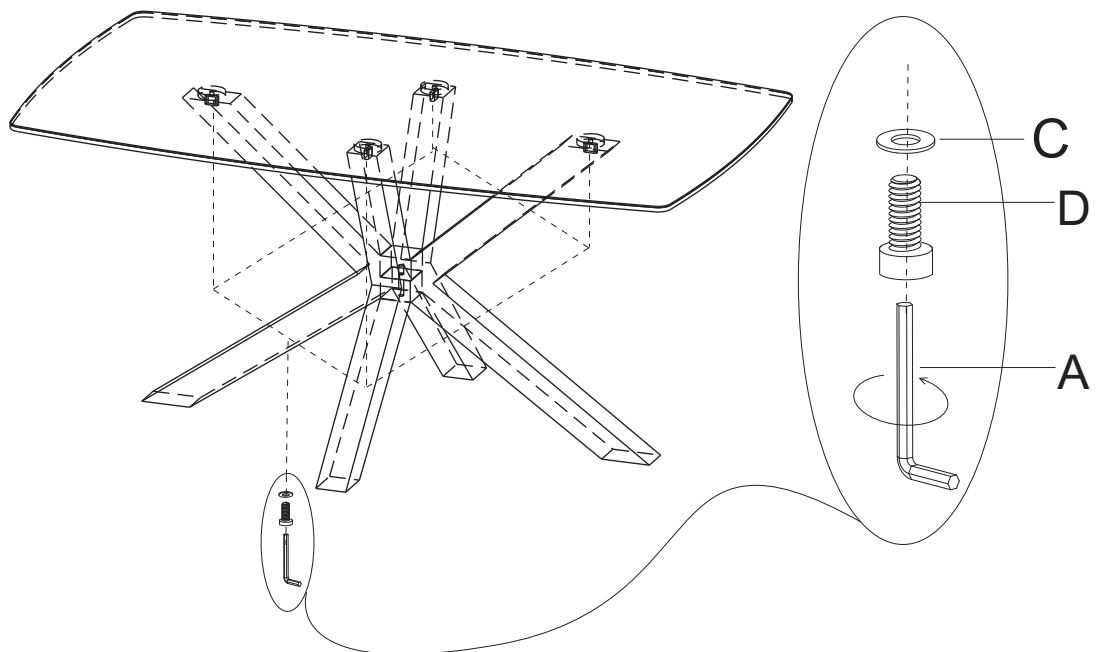


<p>Ax1 150X40MM</p>	<p>Bx1 11X86MM</p>	<p>Cx1 16X1MM</p>	<p>Ex1 13X2MM</p>
----------------------------	---------------------------	--------------------------	--------------------------

Step 3

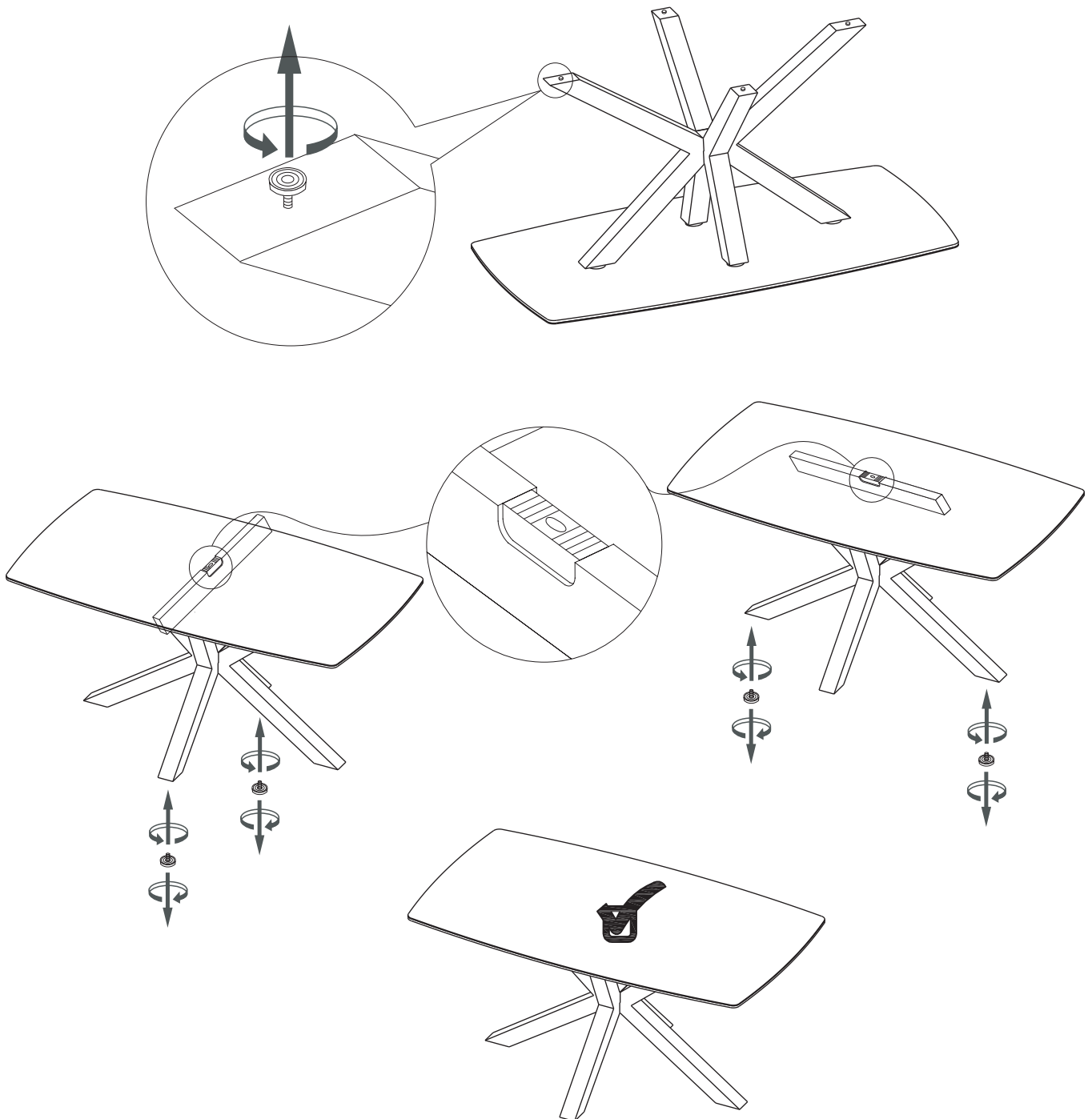


Step 4



Step 5

The table legs have height adjustable foot pads to allow you to easily level your table on uneven floors. Simply turn the foot pads to adjust the height.



Please note it needs 2 people move or turn over the table carefully.



Please note it needs 2 people move or turn over the table carefully.